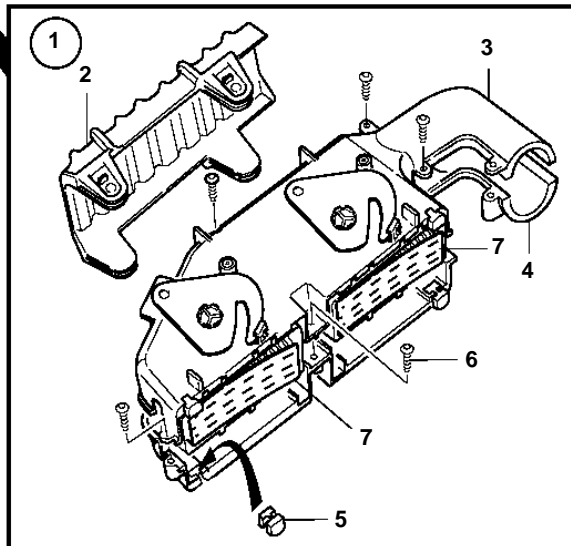
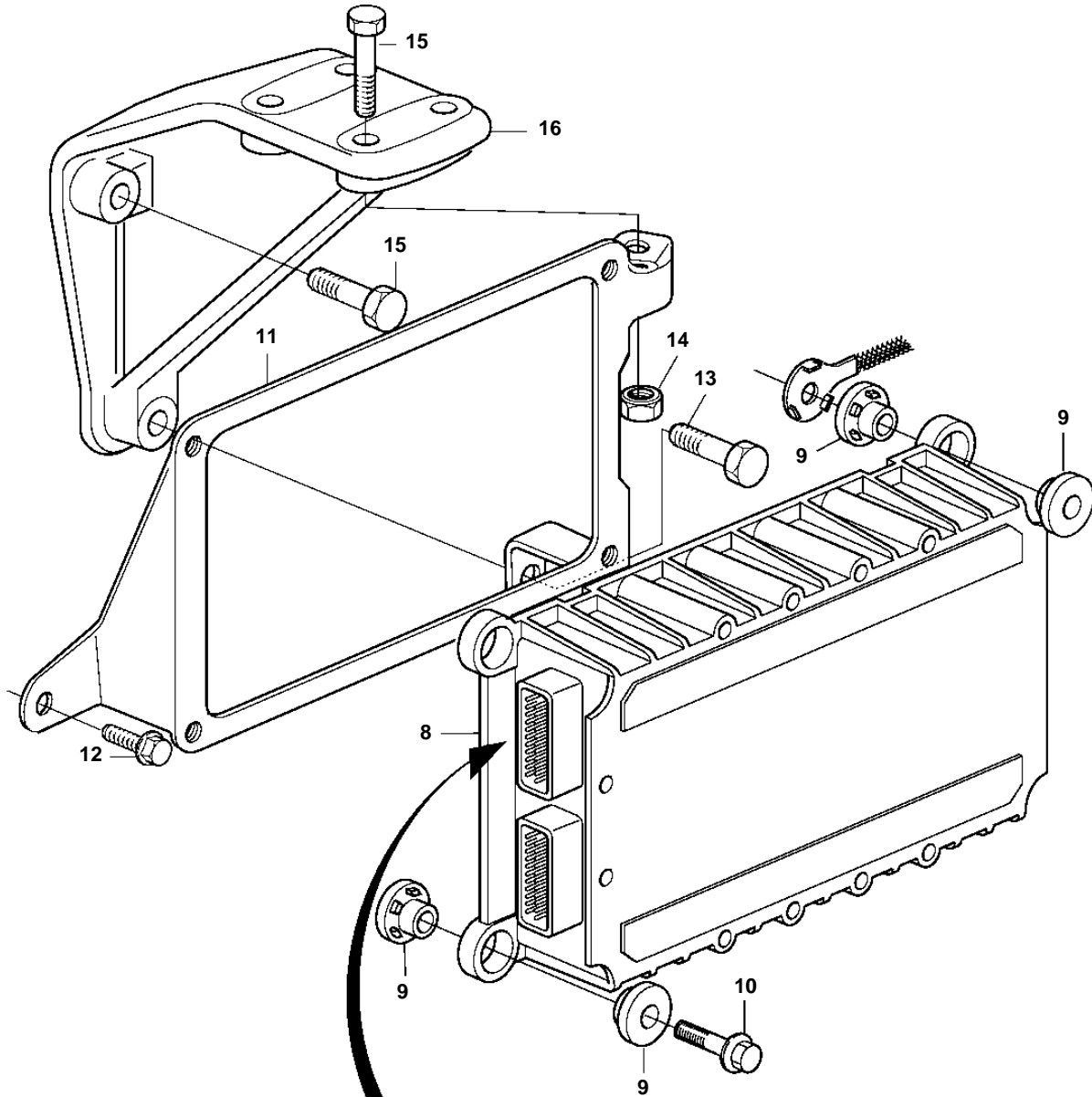


D12D-B MH, D12D-A MP



19314

D12D-B MH, D12D-A MP

REF	PART NO.	QTY	DESCRIPTION	SEE SEC.	NOTES
1		1	Switch		
2	3199185	1	• Handle		
3	3173907	1	• Cover		
4	3173908	1	• Cover		
5	3173913	4	• Vibration damper		
6	975367	5	• 6 point socket screw		
7		2	• Pin housing		
8		1	Control unit	6690	
9	3095161	4	• Rubber cushion		
10	948217	4	Flange screw		
11	3837371	1	Bracket		
12	946440	1	Flange screw		
13	965220	1	Flange screw		
14	971095	1	Flange nut		
15	965220	4	Flange screw		
16		1	Bracket		For radiator/keel cooling engines.